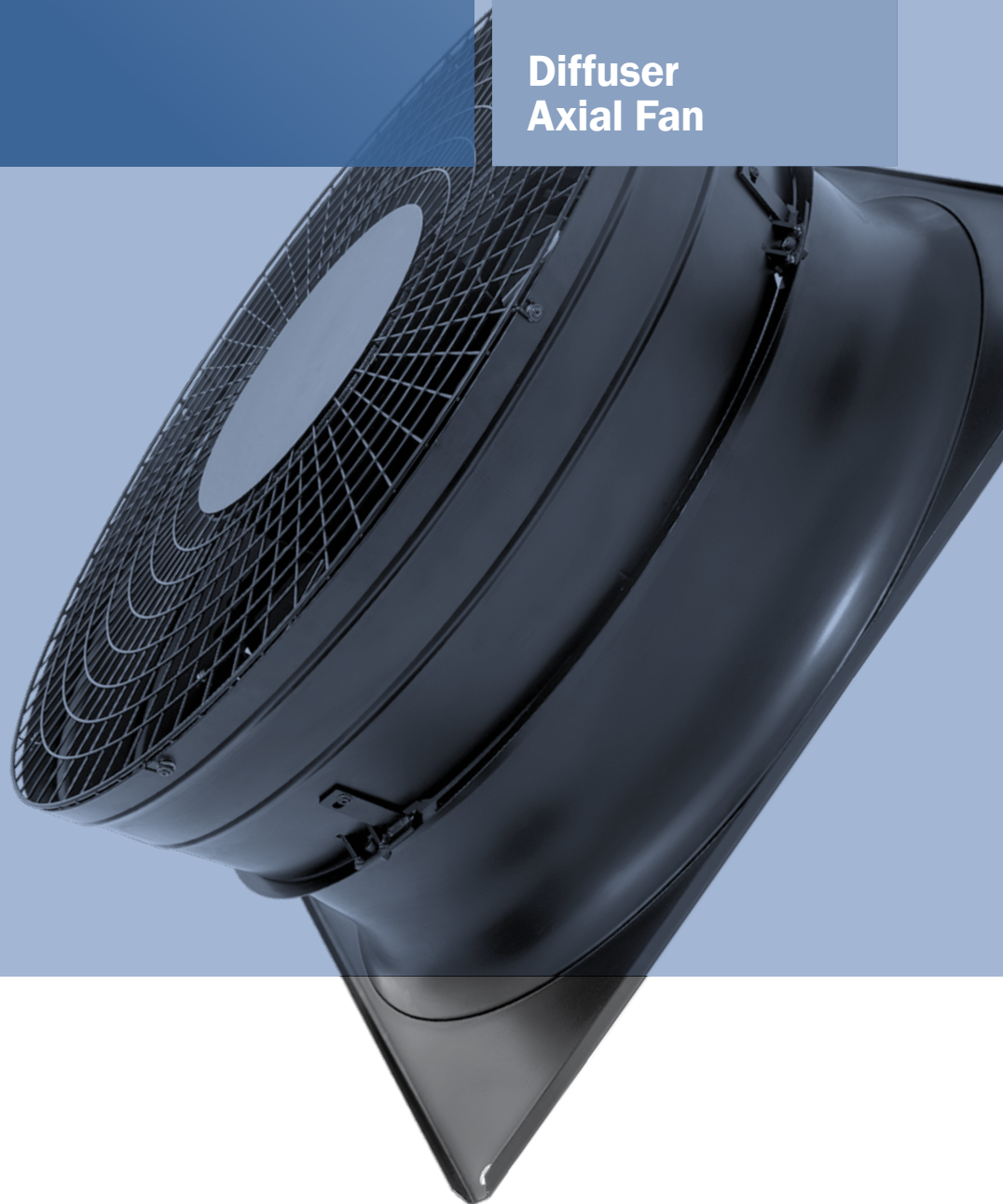


**EAGLE**

**Diffuser  
Axial Fan**



**Hidria**

Developed & produced by Hidria

# EAGLE

The EAGLE Axial Fan with mounted diffuser has reduced noise value and less energy consumption at the same air volume.



NOISE REDUCTION UP TO

-5dB

AIR FLOW PERFORMANCE

+8%

ENERGY EFFICIENCY

+20%

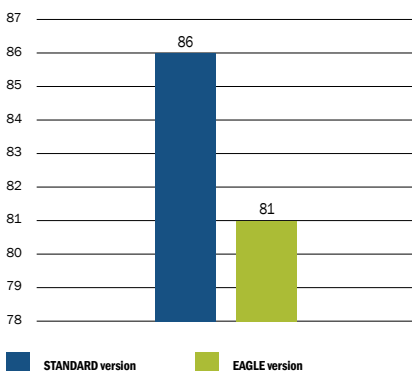
## Advantages

The overall incorporated benefit of the EAGLE solution results in a more efficient and energy-saving system you can build into your cooling and refrigeration applications. Energy cost savings with the EAGLE diffuser are markedly improved and can be used as a competitive advantage in many respects.

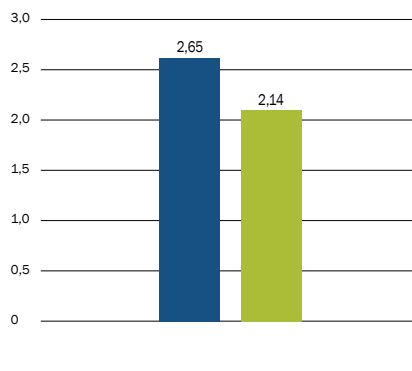
## Reduce operating speed and consequently noise

The added diffuser boosts the air and transfer part of the dynamic into static airflow pressure, resulting in greater efficiency and providing the possibility to reduce operating speed and noise.

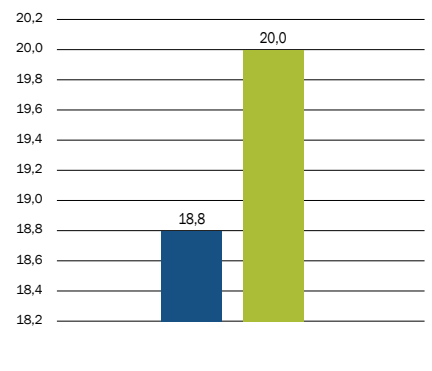
Reduced noise level at same air volume dB(A)



Less energy consumption at same air volume [kW]

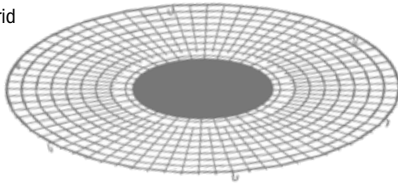


Increased air volume at comparable energy consumption [1.000 m<sup>3</sup>/h]



### EAGLE Axial Fan Components

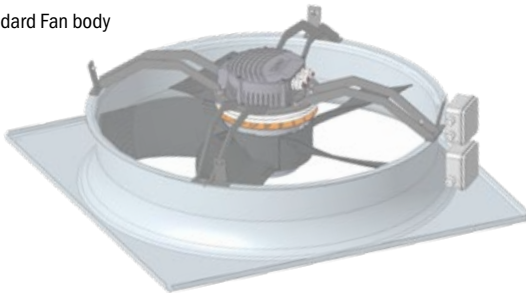
Protection grid



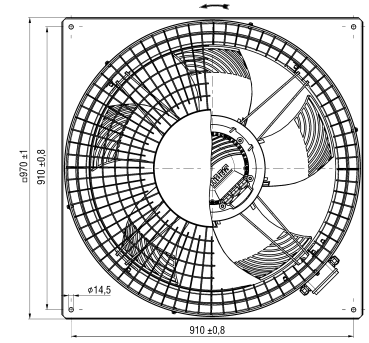
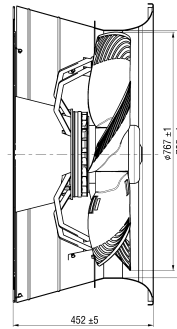
EAGLE diffuser



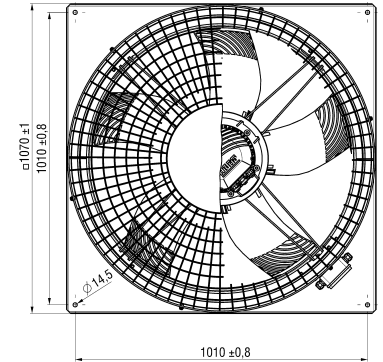
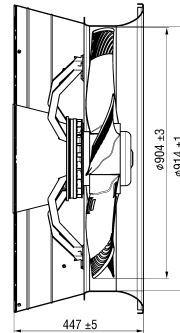
Standard Fan body



### Axial Fan 800 mm



### Axial Fan 910 mm



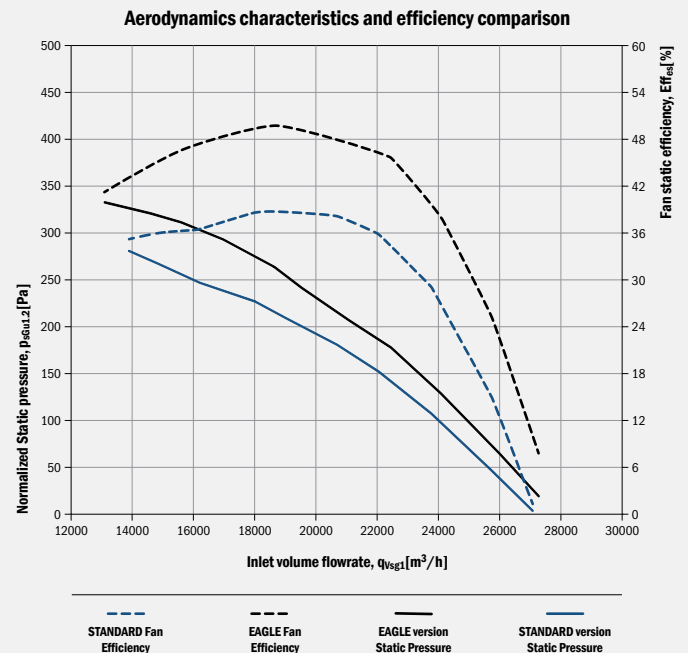
### No significant construction modifications of your applications is needed

The compact plug-in solution of the EAGLE diffuser into our standard BIG-R Axial Fan gives you the possibility to adapt it to almost all applications without any major construction modification.

### The top Eagle Fan efficiency pays back the cost of the fan in less than a year

Upgrade of Standard BIG-R Axial fan with Eagle streaming elements boost overall static fan efficiency for 20 % or more. By use of 3 KW EAGLE axial fan arrangement and it's 70 % daily utilization you spare yearly more than 1,8 MWh of electricity and 500 kg CO<sub>2</sub> emissions\*

### Use EAGLE Fans to spare environment and investment funds!



\* 0,275 KgCO<sub>2</sub>/kWh – European Environment Agency EEA average for EU27 countries in 2020)

## Sales and distribution:

### AUSTRALIA AND NEW ZEALAND

BEIJER REF AUSTRALIA  
10/88 Dynon Road  
3003 West Melbourne  
VIC Australia  
T: +613 9371 1300  
F: +613 9372 5580  
E: info@beijerref.com.au

### MIDDLE EAST

NASER AL SAYER & CO. L.L.C.  
P.O. Box 1825  
Al Maktoum Hospital Road,  
Deira, Dubai, U.A.E.  
T: 00971-4-2222-471  
E: nascomt@emirates.net.ae  
www.nasco-uae.com/  
refrigeration

### ZILAL COOLING & TRADING EST.

P.O. Box 27959 - 11427  
Al Ihsa Street, Riyadh,  
Saudi Arabia  
T: 00966-11-4790340  
E: abd@zilalcooling.com  
www.zilalcooling.com

### EBRAHIM AL-JASSIM SONS TRADING CO., LTD.

PO Box.102, King Kaled St.  
DAMMAM-31411, Saudi Arabia  
T: +966 13 8332109 Extn. 111  
E: mejassim@al-jassim.com

### SOUTHEAST ASIA

Dixell (Asia) Co., Ltd.  
2893, 2895 Phattanakan Road  
Suanluang 10250,  
Bangkok, Thailand  
T: +66 2 722 0245-9  
F: +66 2 320 2520  
E: dixell@dixellasia.com  
www.dixellasia.com

### BELGIUM

Refritec bvba/sprl  
Weiveldlaan 7  
1930 Zaventem  
T: +32 (0)2 715 24 44  
F: +32 (0)2 715 24 46  
E: info@refritec.be  
www.refritec.be

### BULGARIA

NOVOTECHPROM OOD  
6000 Stara Zagora  
Kv. Industrialen  
Kaloianovsko shose str., 16  
Bulgaria  
T: +359 42 603 309  
E: ntp@novotechprom.com  
www.novotechprom.com

### FINLAND AND ESTONIA

REPAIR OY  
Atomitie 1 FIN-00370  
Helsinki, Finland  
T: +358 9 5657780  
E: info@refair.fi  
www.refair.fi

### NEDERLAND

BEIJER REF SUPPORT BV  
Westfields 1210  
5688 HA Oirschot  
Nederland  
www.beijerref.nl  
T: +31 180 751 300  
F: +31 180 751 305

### RUSSIA

PHS LLC  
Savvinskoye shosse 10, floor 6.  
Zheleznodorozhniy mkr.  
Balashikha,  
Moscow region, Russia  
T: +7-495-221-22-79  
E: ak@phs-holod.ru  
www.phs-holod.ru

### SERBIA

FRIGO RADAK COMPANY D.O.O.  
Đurđevdanska 20  
11000 Beograd, Serbia  
T: +381 11 3945577  
M: +381 63 318539  
E: bobanradak@yahoo.com  
www.frigoradak.com

### SLOVENIA

EMPOR d.o.o.  
Leskoškova 9a  
1000 Ljubljana  
T: +386 1 5203820  
E: empor@empor.si  
www.empor.si

### SPAIN

Refrigeration & Climate Control,  
S.L.U.  
Calle 2A, 7 ; Pol. Ind. Tactica  
46980 Paterna (Valencia),  
Spain  
T: 0034-96-159-49-33  
E: direccion@r-cc.es  
www.r-cc.es

### SWEDEN AND DENMARK

NORDICOLD AB  
Datavägen 16,  
43632 Askim, Sweden  
T: +46 31680440  
E: info@nordicold.se  
www.nordicold.se

For more details, please take a look at our Selection Software program at: <https://fanselection.hidria.com>



### Hidria d. o. o.

Nazorjeva 6a  
1000 Ljubljana  
Slovenia  
T: +386 5 375 60 00  
E: sales.fans@hidria.com  
www.hidria.com