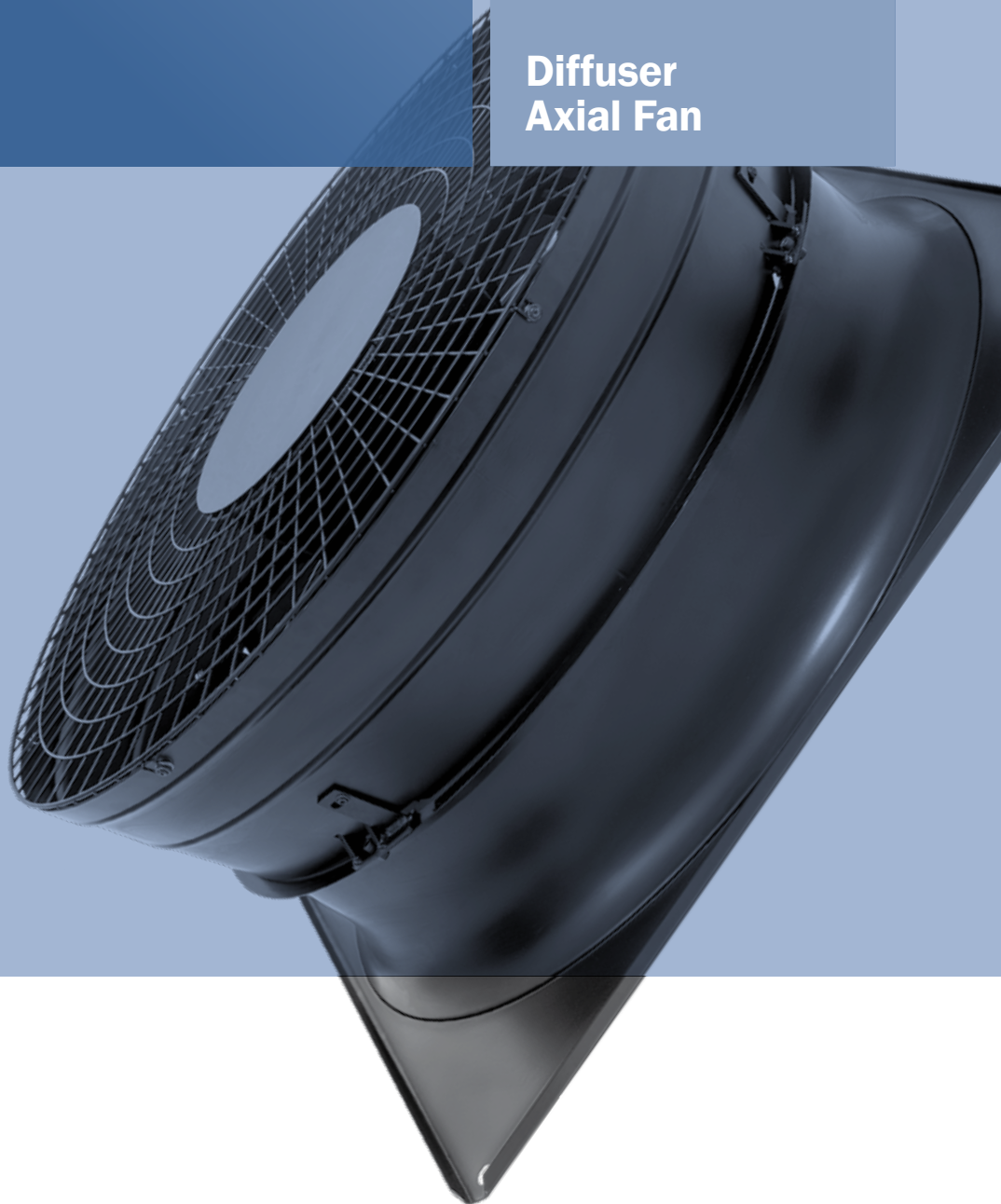


EAGLE

**Diffuser
Axial Fan**



Hidria

Developed & produced by Hidria

EAGLE

The EAGLE Axial Fan with mounted diffuser has reduced noise value and less energy consumption at the same air volume.



NOISE REDUCTION
UP TO

-5dB

AIR FLOW
PERFORMANCE

+8%

ENERGY
EFFICIENCY

+20%

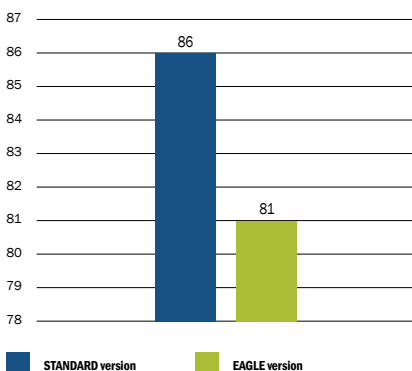
Advantages

The overall incorporated benefit of the EAGLE solution results in a more efficient and energy-saving system you can build into your cooling and refrigeration applications. Energy cost savings with the EAGLE diffuser are markedly improved and can be used as a competitive advantage in many respects.

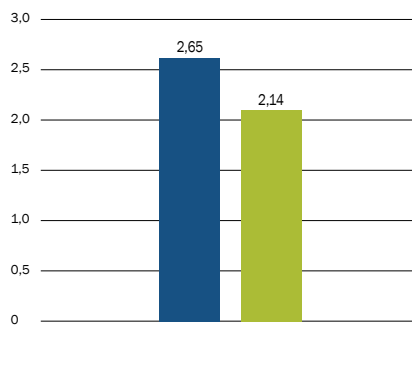
Reduce operating speed and consequently noise

The added diffuser boosts the air and transfer part of the dynamic into static airflow pressure, resulting in greater efficiency and providing the possibility to reduce operating speed and noise.

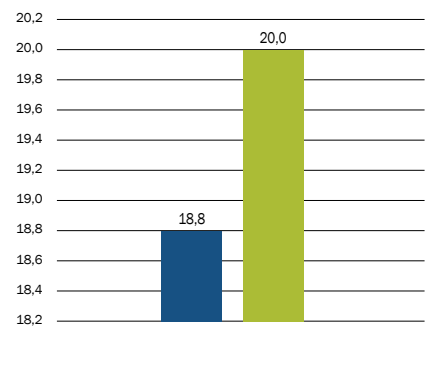
Reduced noise level at same air volume dB(A)



Less energy consumption at same air volume [kW]

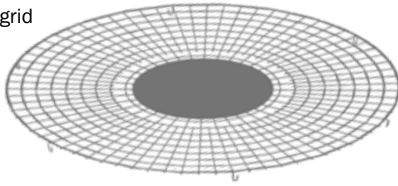


Increased air volume at comparable energy consumption [1.000 m³/h]



EAGLE Axial Fan Components

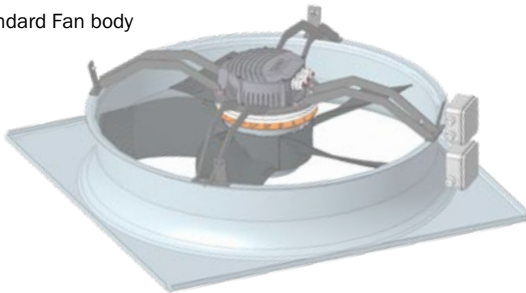
Protection grid



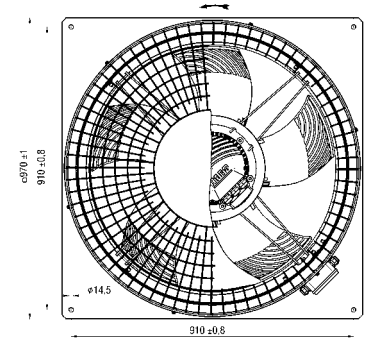
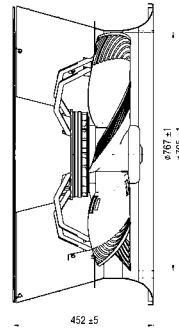
EAGLE diffuser



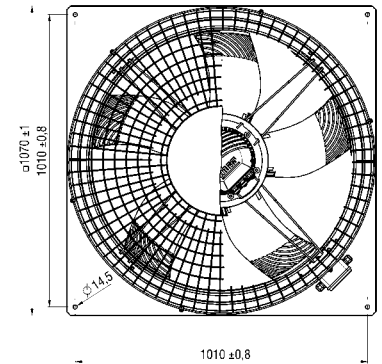
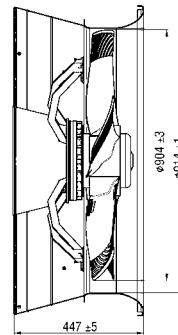
Standard Fan body



Axial Fan 800 mm



Axial Fan 910 mm



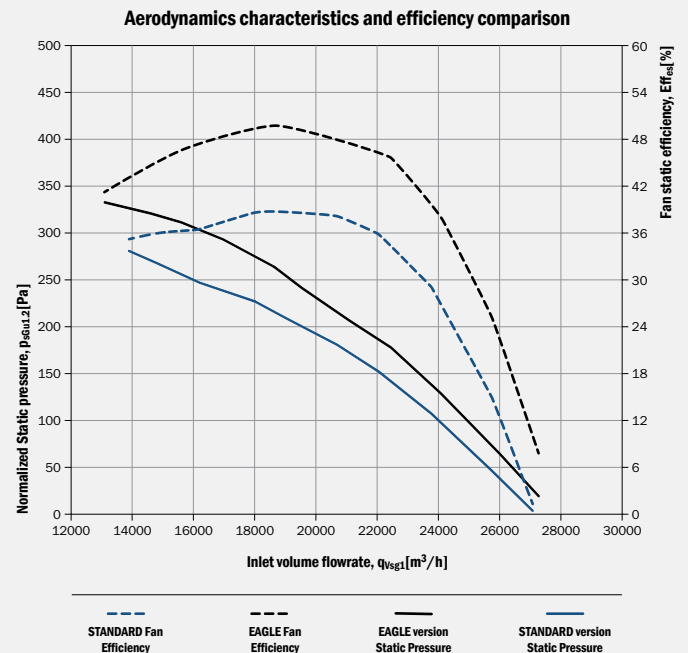
No significant construction modifications of your applications is needed

The compact plug-in solution of the EAGLE diffuser into our standard BIG-R Axial Fan gives you the possibility to adapt it to almost all applications without any major construction modification.

The top Eagle Fan efficiency pays back the cost of the fan in less than a year

Upgrade of Standard BIG-R Axial fan with Eagle streaming elements boost overall static fan efficiency for 20 % or more. By use of 3 KW EAGLE axial fan arrangement and it's 70 % daily utilization you spare yearly more than 1,8 MWh of electricity and 500 kg CO₂ emissions*

Use EAGLE Fans to spare environment and investment funds!



* 0,275 KgCO₂/kWh – European Environment Agency EEA average for EU27 countries in 2020)

Sales and distribution:

AUSTRALIA AND NEW ZEALAND

BEIJER REF AUSTRALIA
10/88 Dynon Road
3003 West Melbourne
VIC Australia
T: +613 9371 1300
F: +613 9372 5580
E: info@beijerref.com.au

MIDDLE EAST

NASER AL SAYER & CO. L.L.C.
P.O. Box 1825
Al Maktoum Hospital Road,
Deira, Dubai, U.A.E.
T: 00971-4-2222-471
E: nascomt@emirates.net.ae
www.nasco-uae.com/
refrigeration

ZILAL COOLING & TRADING
EST. P.O. Box 27959 - 11427
Al Ihsa Street,
Riyadh, Saudi Arabia
T: 00966-11-4790340
E: abd@zilalcooling.com
www.zilalcooling.com

EBRAHIM AL-JASSIM SONS
TRADING CO., LTD.
PO Box.102, King Kaled St.
DAMMAM-31411, Saudi Arabia
T: +966 13 8332109 Extn. 111
E: mejassim@al-jassim.com

CHINA

Zhejiang RUIXUE Refrigeration
Equipment Technology Co., Ltd.
No.188 Jiaocang Road,
Ganlin Industrial Zone
Shengzhou City, Zhejiang
Province, China
T: +86 21 54198596
M: +86 173 1715 4744
F: +86 21 5419 8522
E: tiffany.s@shemth.com
www.shemth.com

SOUTH KOREA

DAESUNG MAREF CO., LTD
851-8, Hwasan-ri Ujeong-eup
Hwaseong city Gyeonggi-do,
Korea
T: +82 31 421 8883
E: dsc@dsmaref.com

SOUTHEAST ASIA

Dixell (Asia) Co., Ltd.
2893, 2895 Phattanakan Road
Suanluang 10250,
Bangkok, Thailand
T: +66 2 722 0245-9
F: +66 2 320 2520
E: dixell@dixellasia.com
www.dixellasia.com

BELGIUM

Refritec bvba/sprl
Weiveldlaan 7
1930 Zaventem
T: +32 (0)2 715 24 44
F: +32 (0)2 715 24 46
E: info@refritec.be
www.refritec.be

NEDERLAND

BEIJER REF SUPPORT BV
Westfields 1210
5688 HA Oirschot Nederland
www.beijerref.nl
T: +31 180 751 300
F: +31 180 751 305

SERBIA

FRIGO RADAK COMPANY D.O.O.
Đurđevdanska 20
11000 Beograd, Serbia
T: +381 11 3945577
M: +381 63 318539
E: bobanradak@yahoo.com
www.frigoradak.com

SLOVENIA

EMPOR d.o.o.
Leskoškova 9a,
1000 Ljubljana
T: +386 1 5203820
E: empor@empor.si
www.empor.si

SPAIN

Refrigeration & Climate
Control, S.L.U.
Calle 2A, 7 ; Pol. Ind. Tactica
46980 Paterna (Valencia),
Spain
T: 0034-96-159-49-33
E: direccion@r-cc.es
www.r-cc.es

SWEDEN AND DENMARK

ARMATEC AB
Betagatan 1,
431 49 Mölndal, Sweden
T: +46 31890100
E: info@armatec.se
www.armatec.se



Hidria d. o. o.

Spodnja Kanomlja 23
5281 Spodnja Idrija
Slovenia
T: +386 5 375 60 00
E: sales.fans@hidria.com
www.hidria.com



FAN SELECTION

Scan QR code or visit:
fanselection.hidria.com

