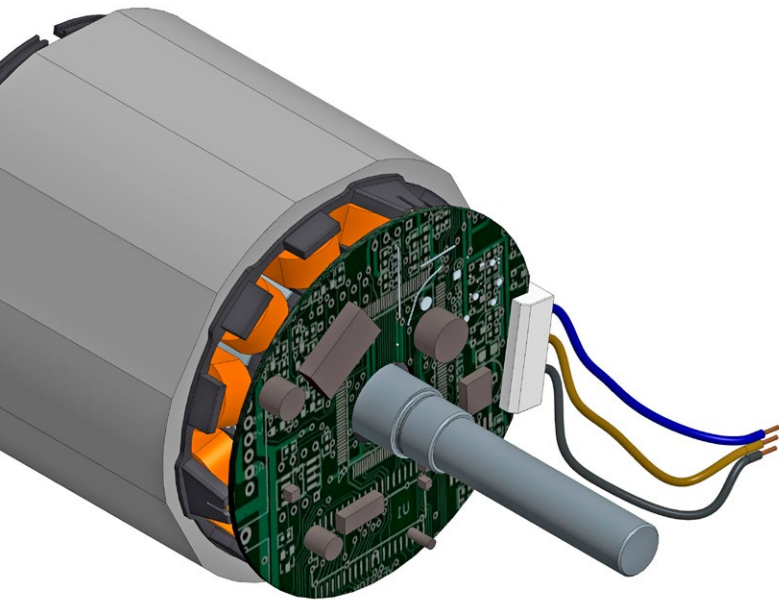


# HIDRIA IPM EC motor



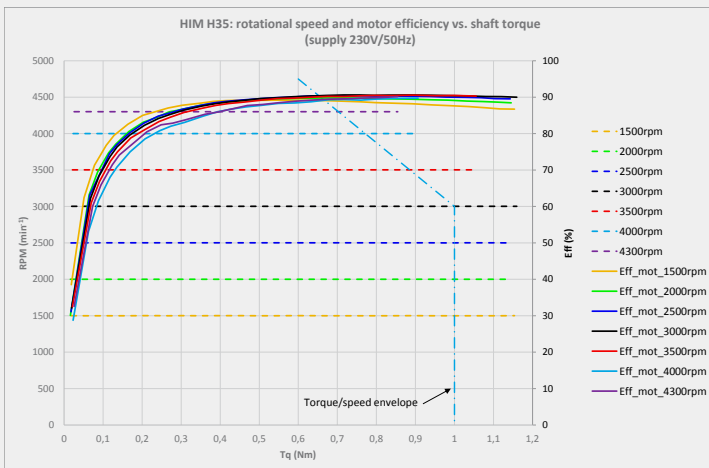
## COMPARISON OF PROPERTIES BETWEEN:

### Surface mounted permanent magnet motor - SPM

### Interior permanent magnet motor - IPM

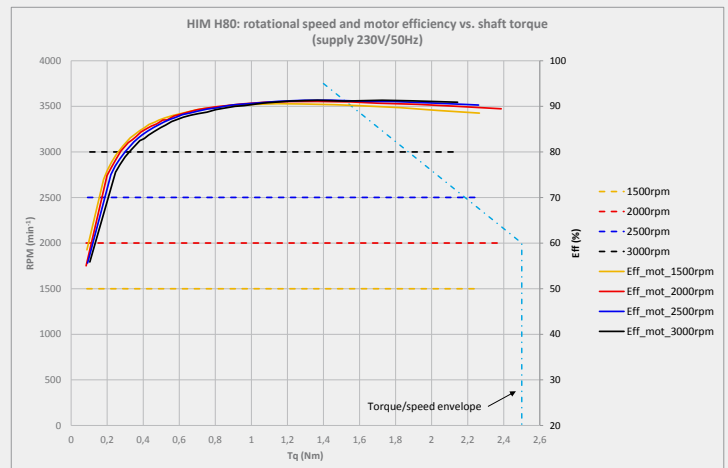
Magnetic torque	Magnetic and reluctance torque
Mechanically weak, especially at high speed	Good for high speed
Less resistant to demagnetization of magnets	More resistant to demagnetization of magnets
Zero to Low flux-weakening capability	Moderate to High flux-weakening capability
Smaller amount of magnet material needed	Larger amount of magnet material needed
Less sensitive to rotor eccentricity	More sensitive to rotor eccentricity - increased radial forces
	More torque per the same motor volume

## Stack height 35mm

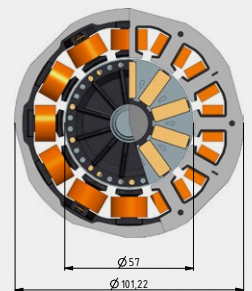
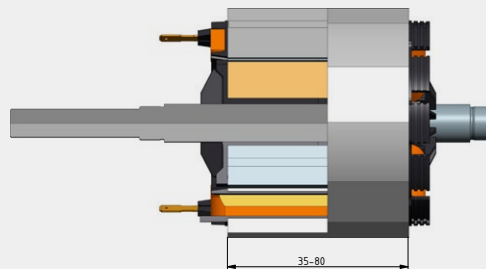
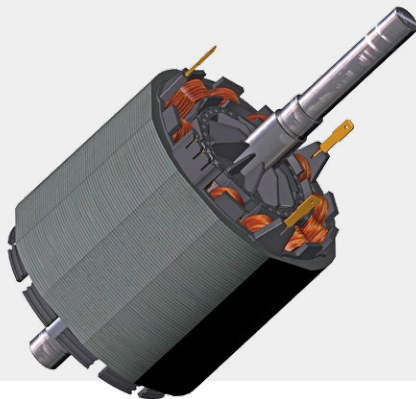


- Nominal ratings: 3~230V/0-358Hz P2 = 310W, Im = 1.33A @ 4300rpm
- Operates only with voltage inverter with 3~ output.
- Operation mode: continuous (S1) at nominal ratings.
- Thermal class F

## Stack height 80mm



- Nominal ratings: 3~230V/0-250Hz, P2 = 600W, Im = 2,75A @ 3000rpm
- Operates only with voltage inverter with 3~ output.
- Operation mode: continuous (S1) at nominal ratings.
- Thermal class F



## Hidria d.o.o.

Spodnja Kanomlja 23, 5281 Spodnja Idrija, Slovenia  
 Tel:+386 5 3756 000  
 E-mail: sales.movent@hidria.com [www.hidria.com](http://www.hidria.com)

